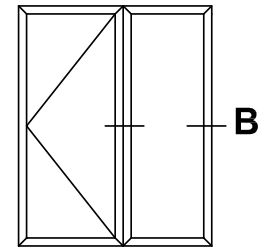
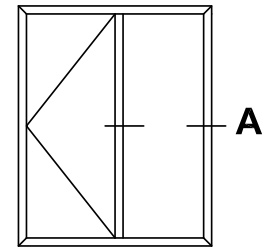
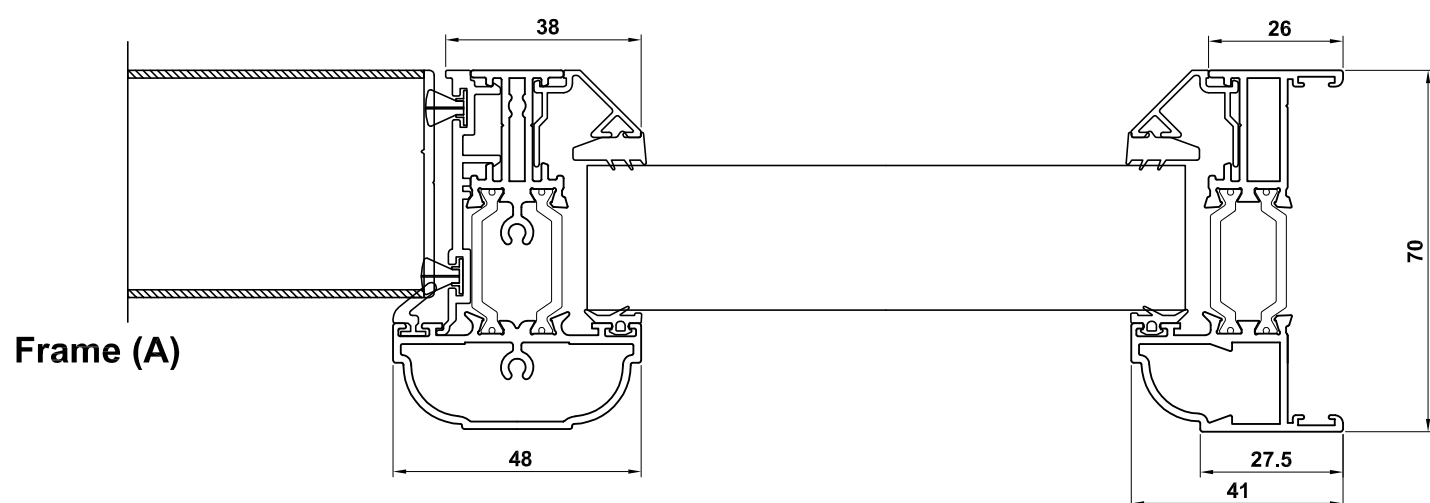
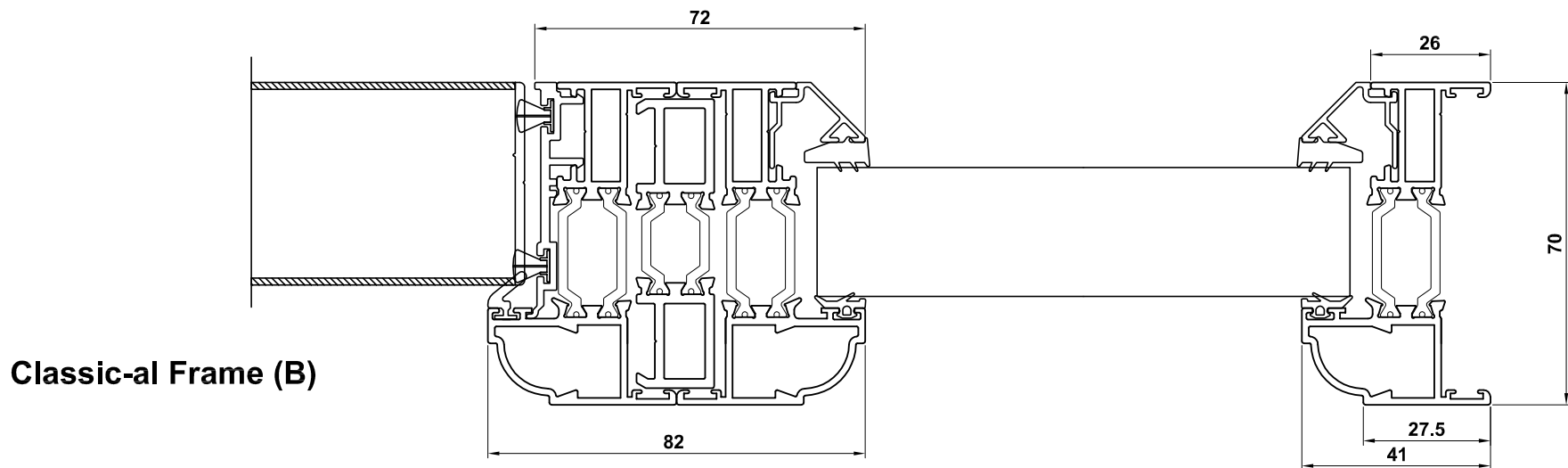
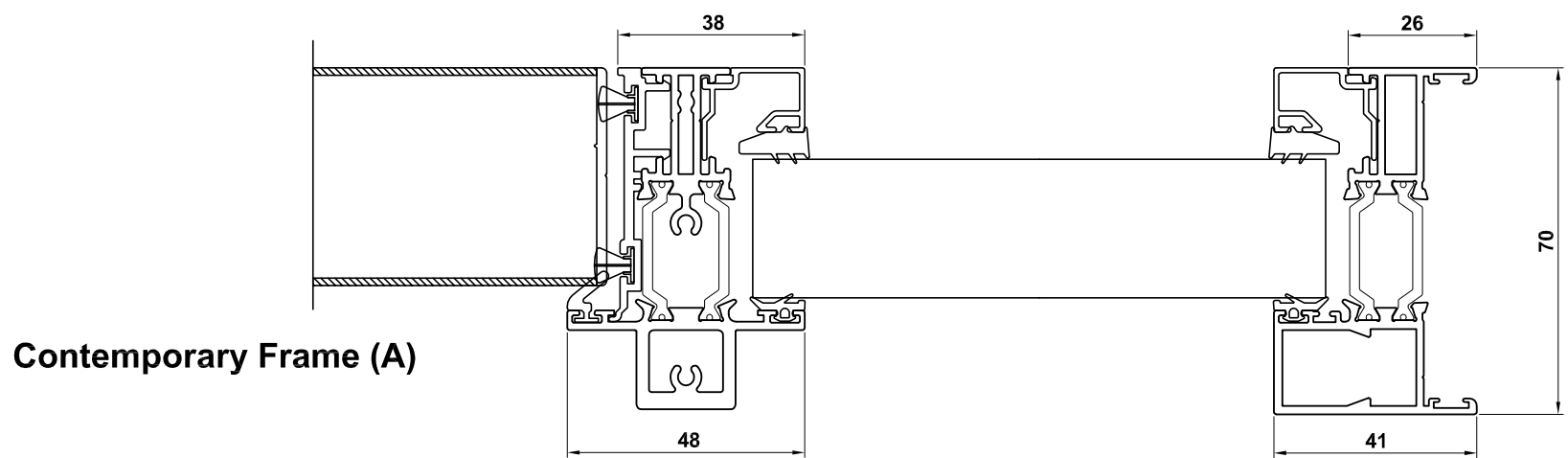
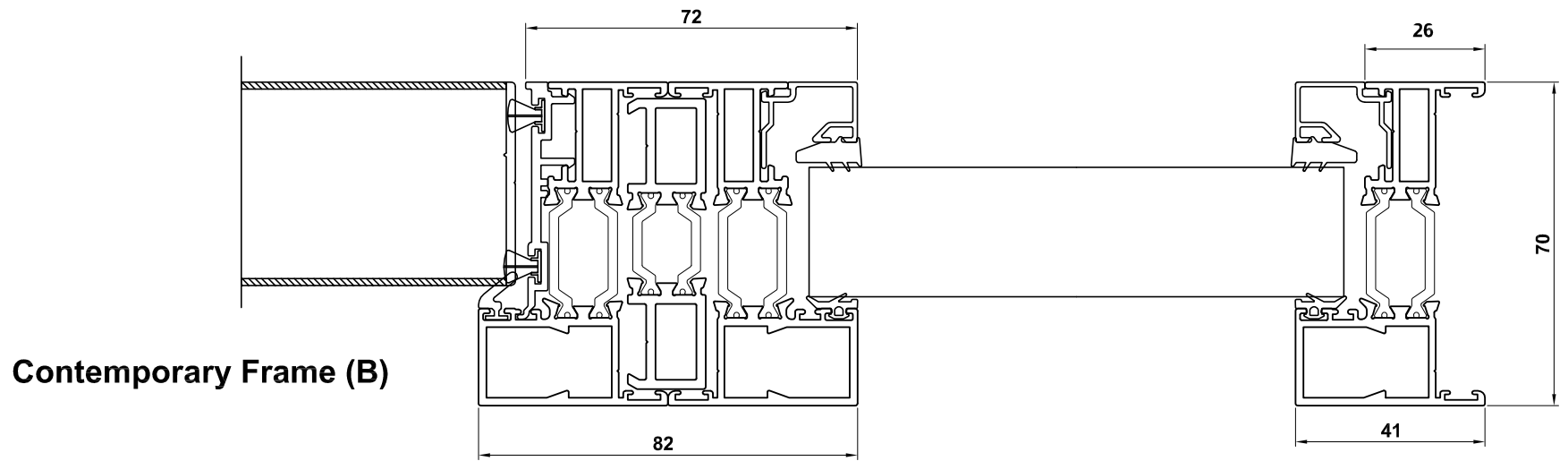


**COMPOSITE DOOR ASSEMBLY DRAWINGS  
 WITH FIXED FULLY GLAZED SIDE SCREEN  
 INTERNALLY GLAZED | OPEN IN | SINGLE DOOR**

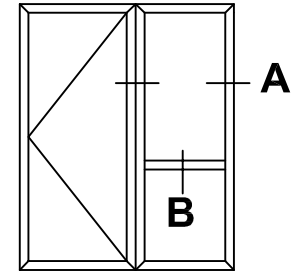


le Frame  
a m dra l

Coupled Frame

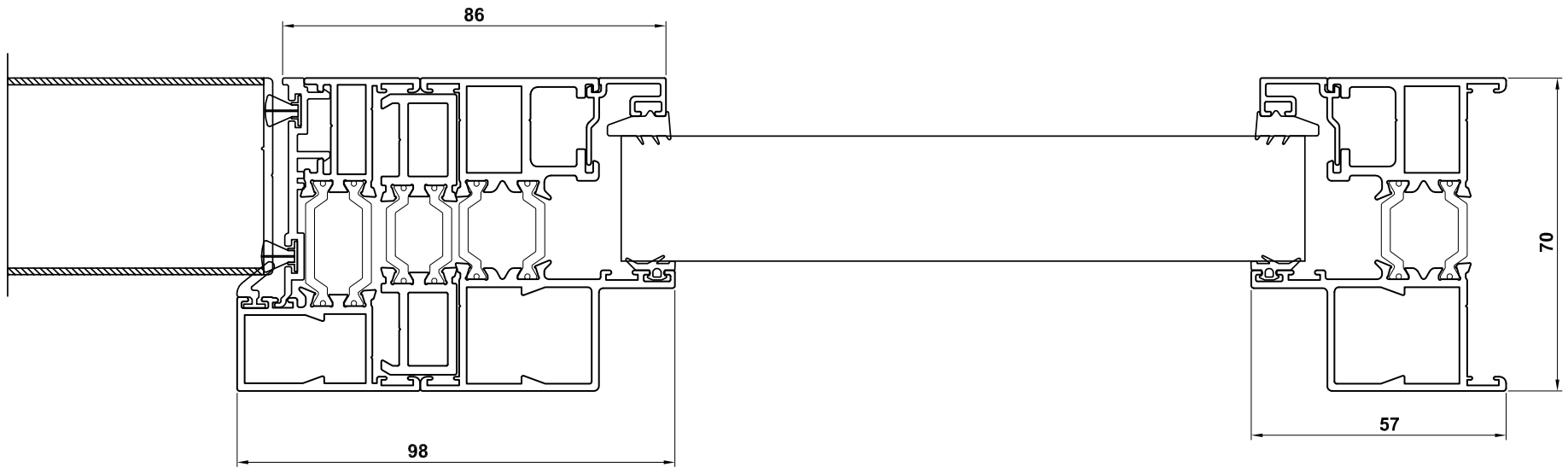


**COMPOSITE DOOR ASSEMBLY DRAWINGS**  
**GLAZED SIDE SCREEN AND MIDRAIL**  
**INTERNALLY GLAZED | OPEN IN | SINGLE DOOR**

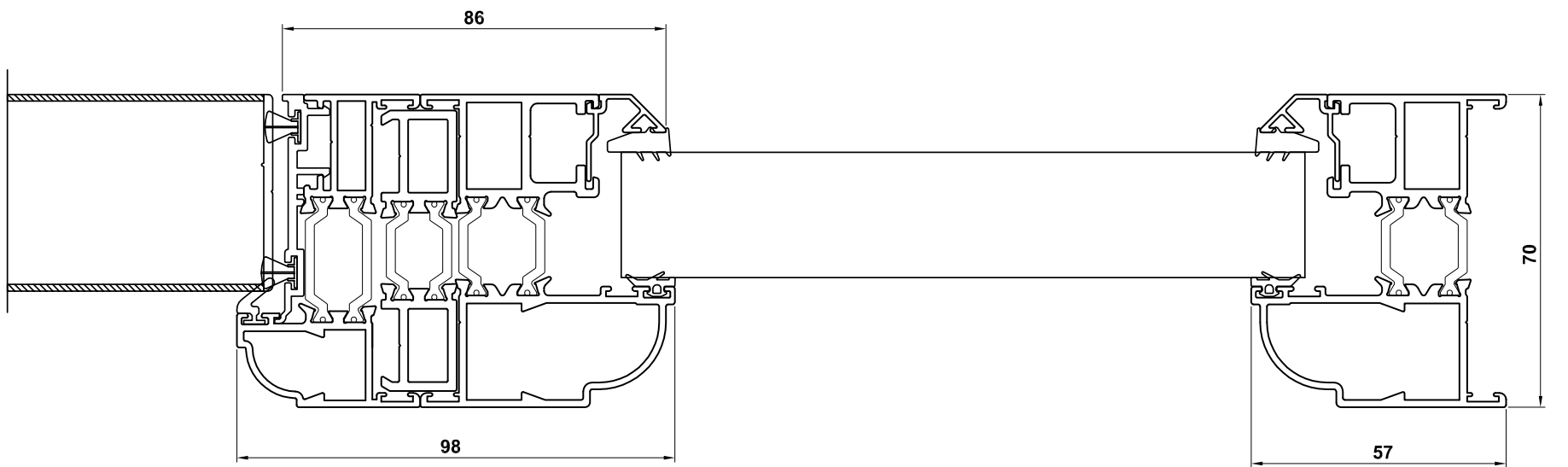


Coupled Frame

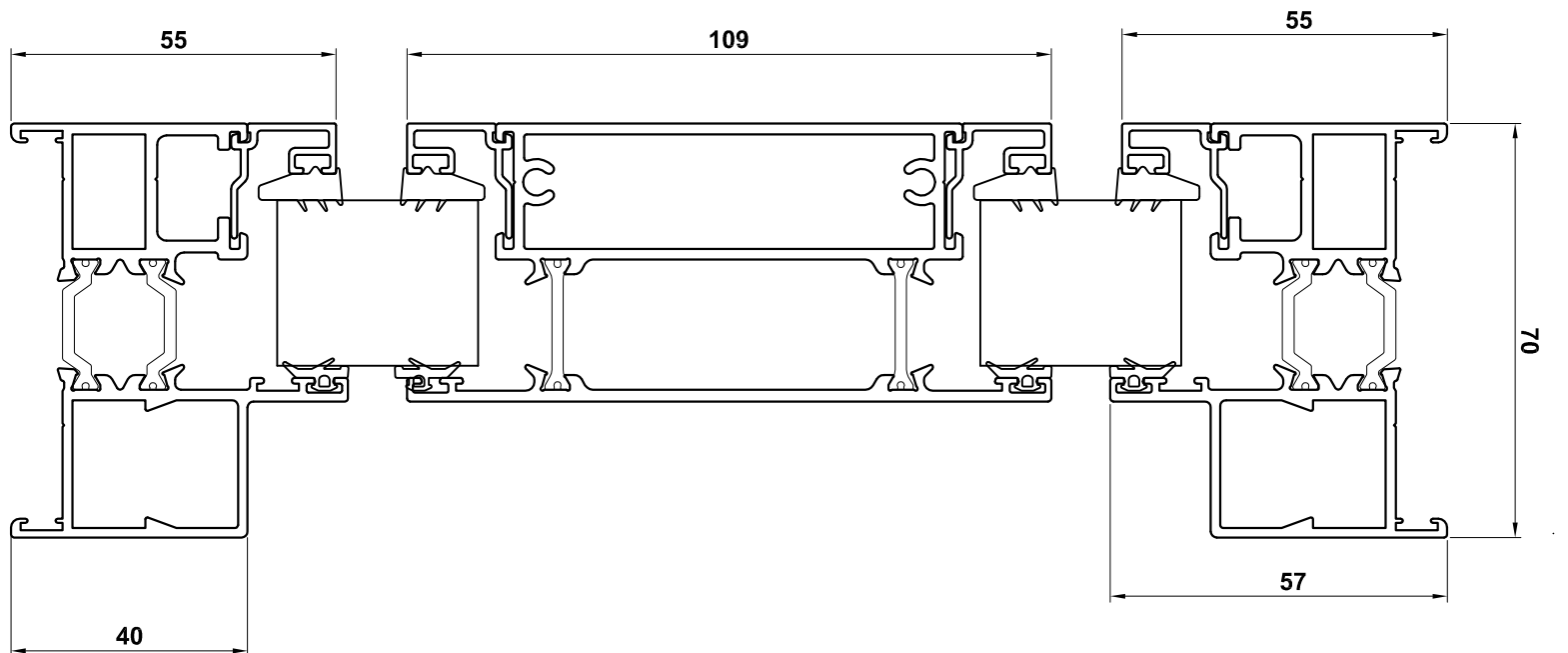
**Contemporary Frame (A)**



**Classic-Al Frame (A)**

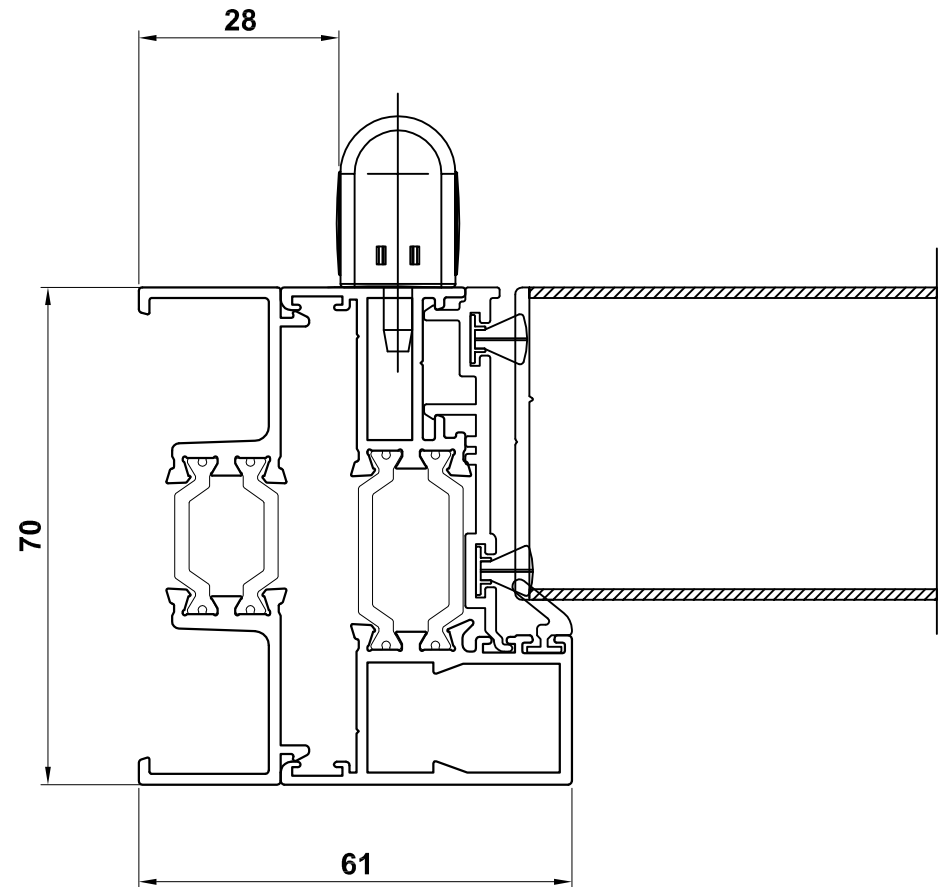
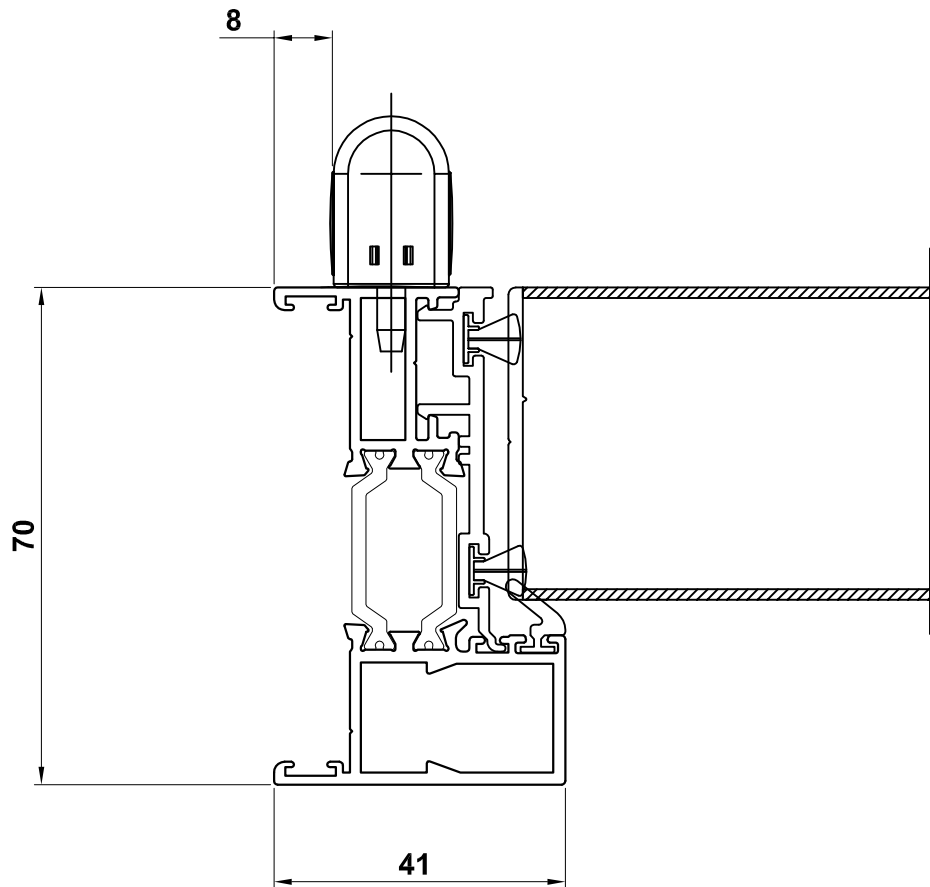
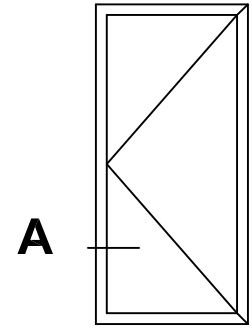


ree m dra l o l  
 a a la le oupled rame  
 om a o

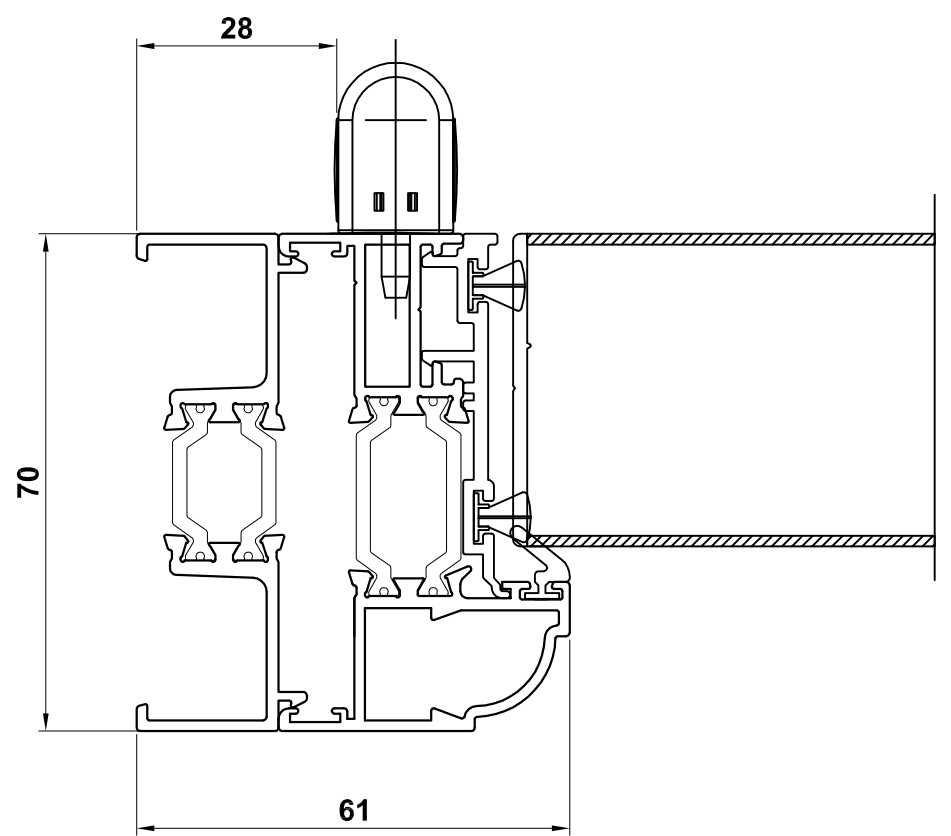
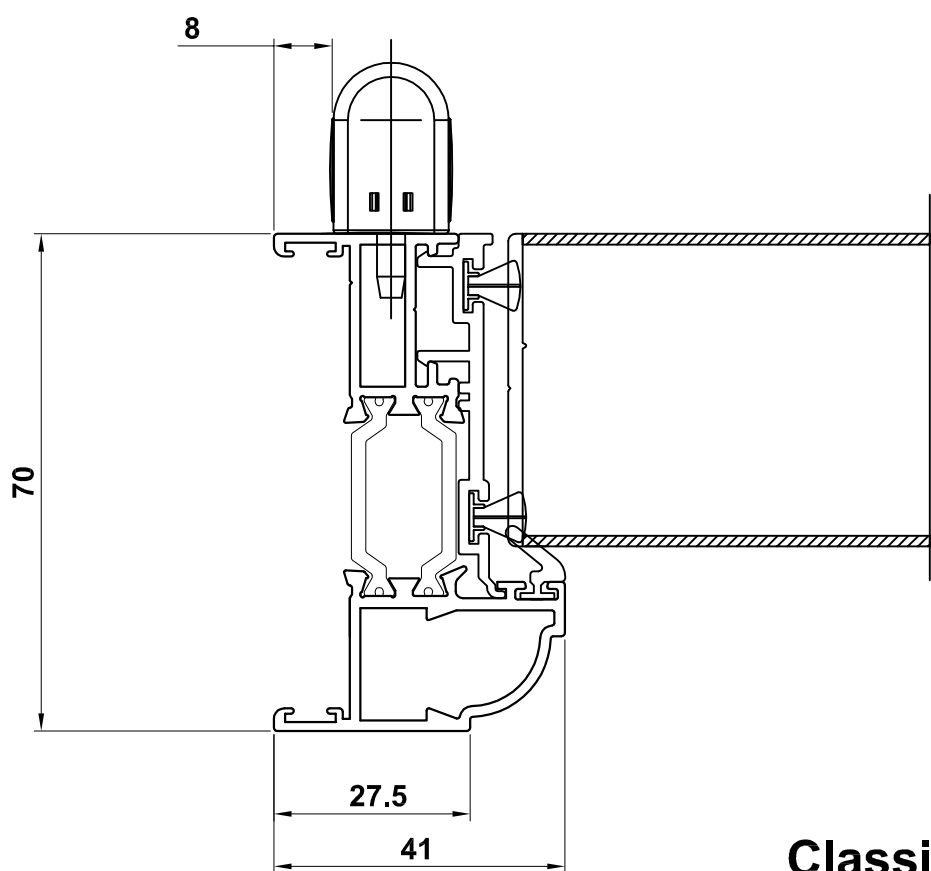




D /d  
 :D/E /  
 E/E<sub>n</sub> /E



**Contemporary Frame**



**Classic-al Frame**