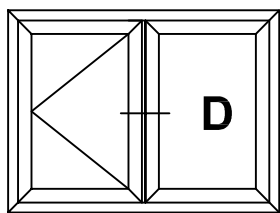
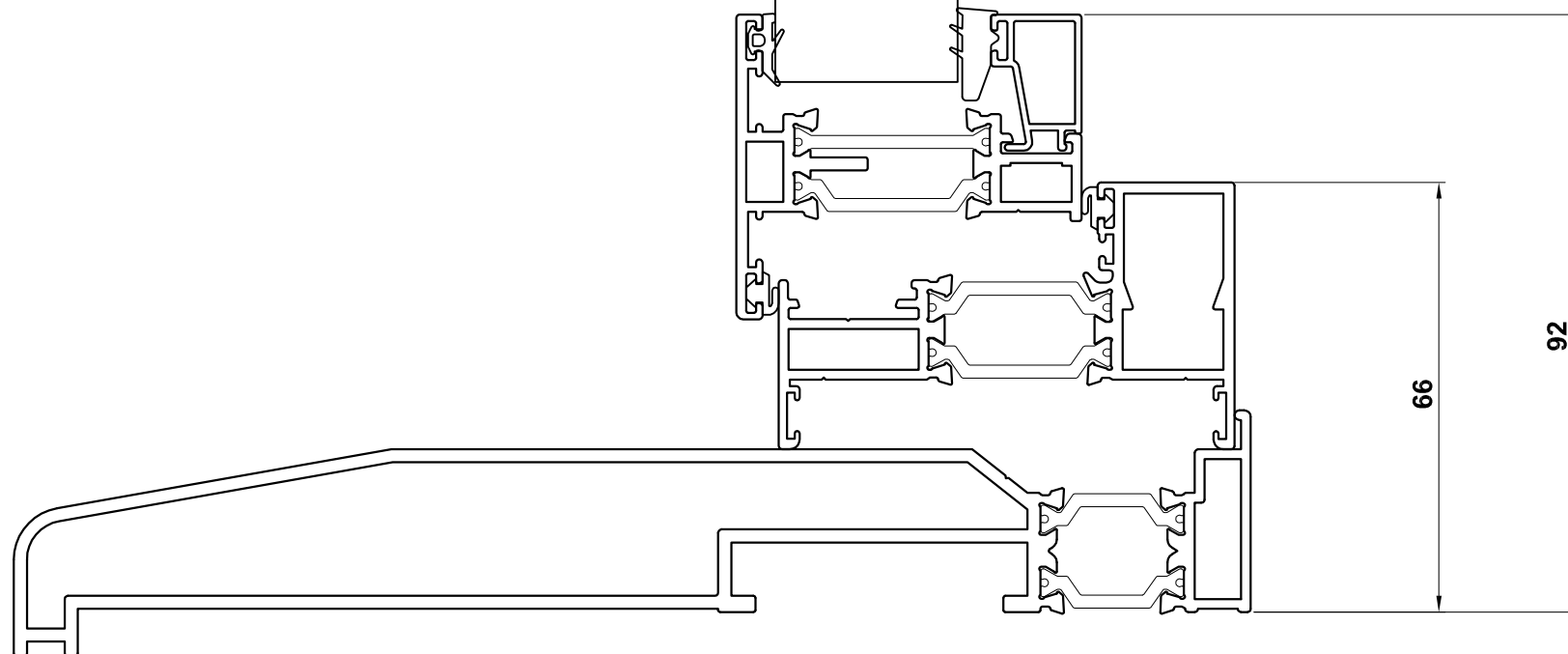
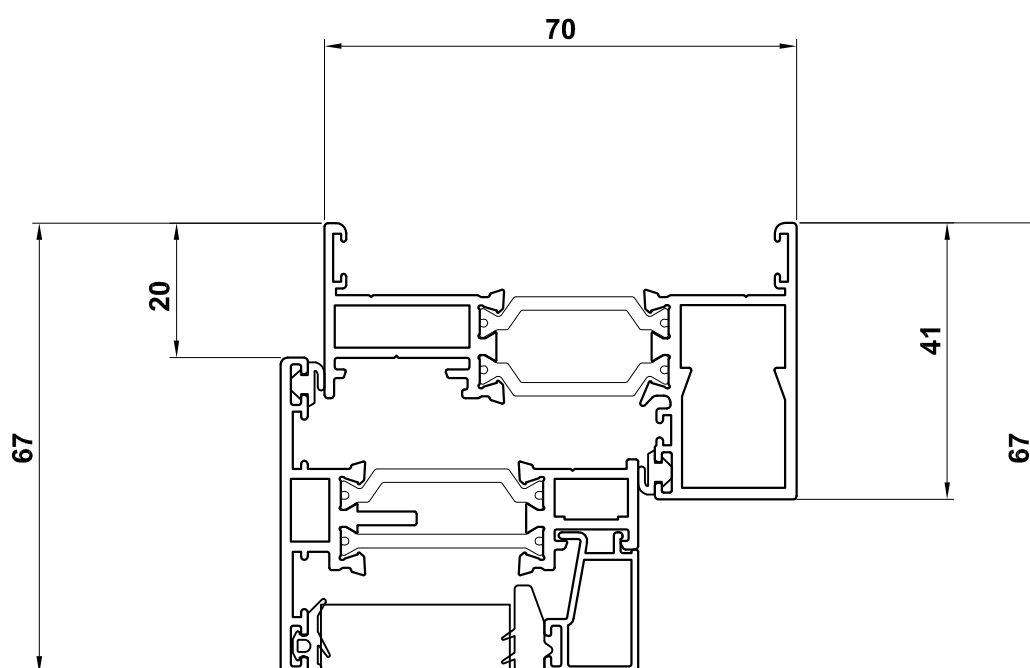
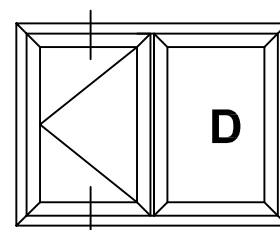
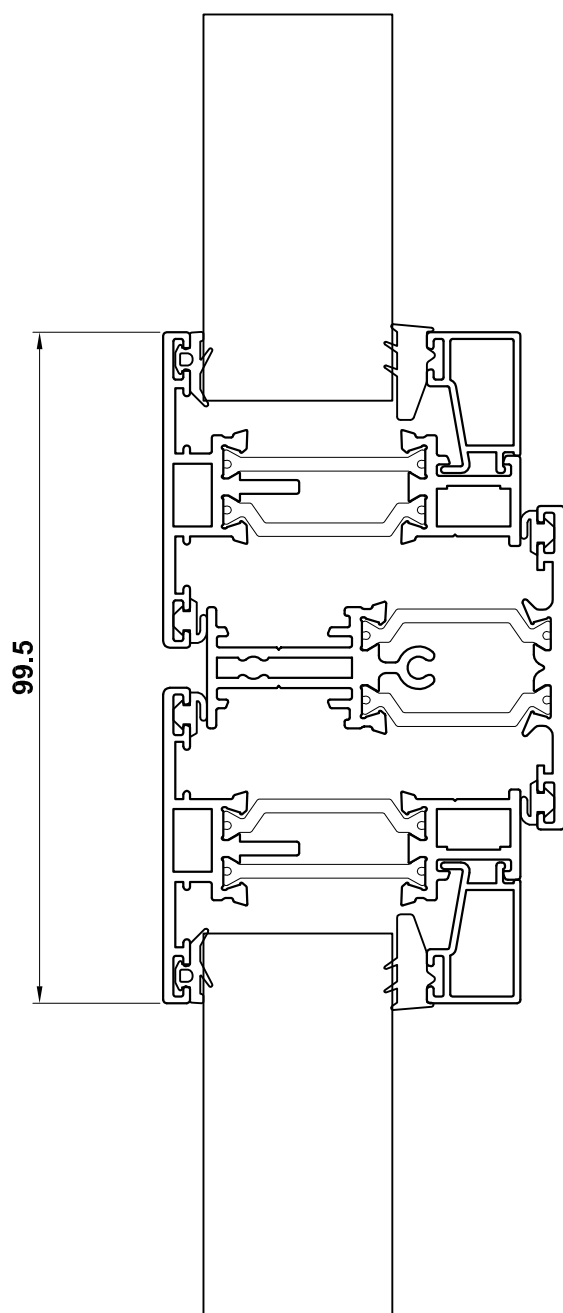


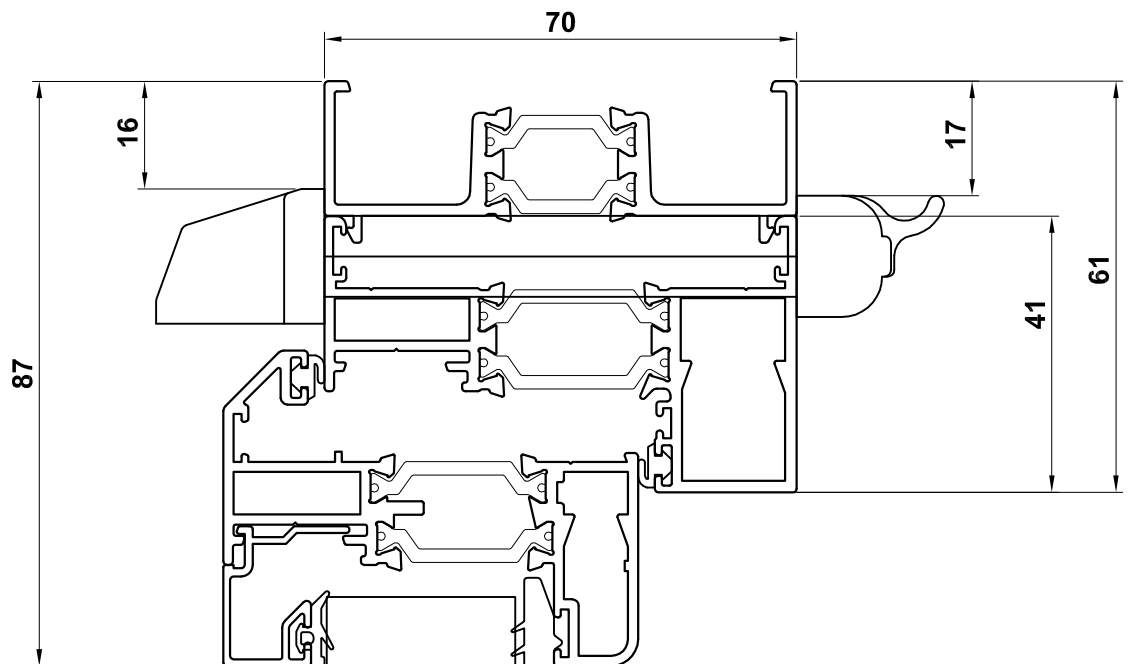
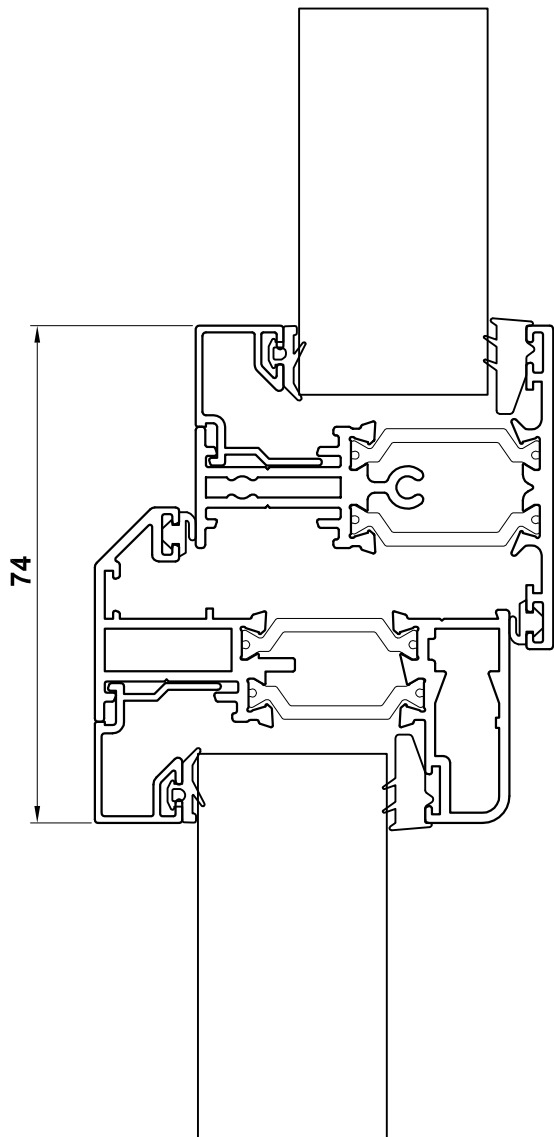
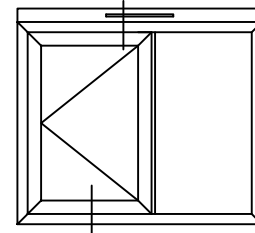
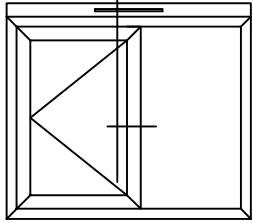
## WINDOW SYSTEM 1 ASSEMBLY DRAWINGS CONTEMPORARY FRAME INTERNALLY GLAZED



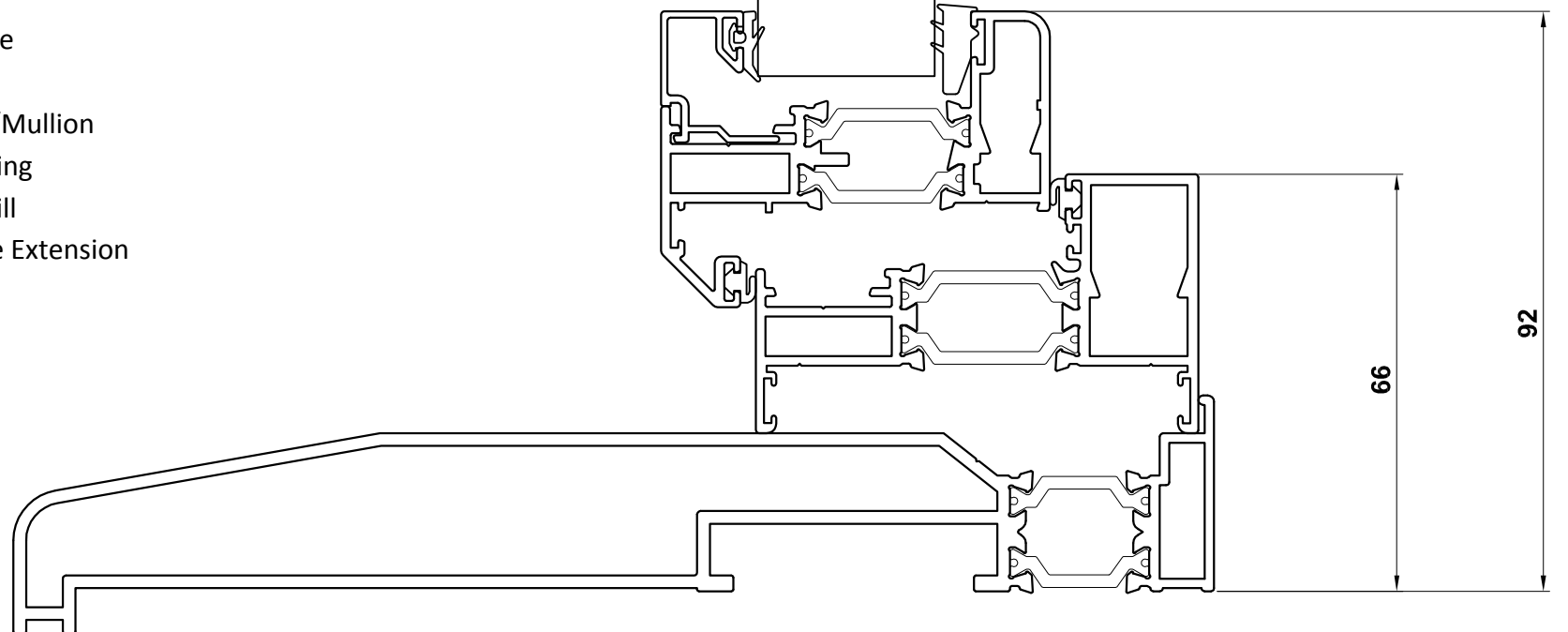
- ZSB169** - Outer Frame
- ETC324N** - T-Sash
- ETC333** - T-Transom/Mullion
- ETC367** - 28mm Glazing
- ETC158N** - 190mm Sill



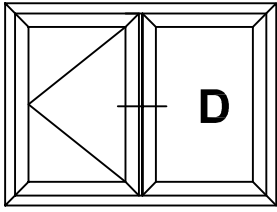
**WINDOW SYSTEM 2 ASSEMBLY DRAWINGS**  
**CONTEMPORARY FRAME EXTERNALLY GLAZED**



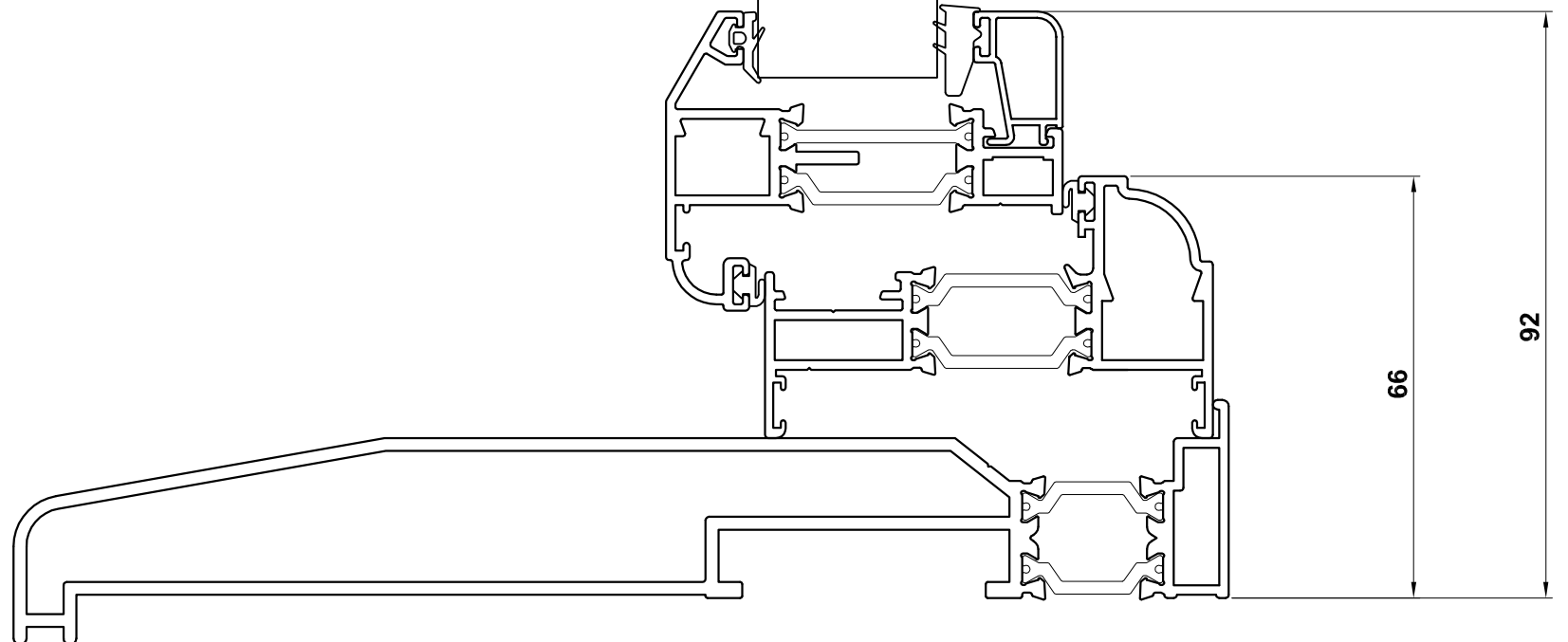
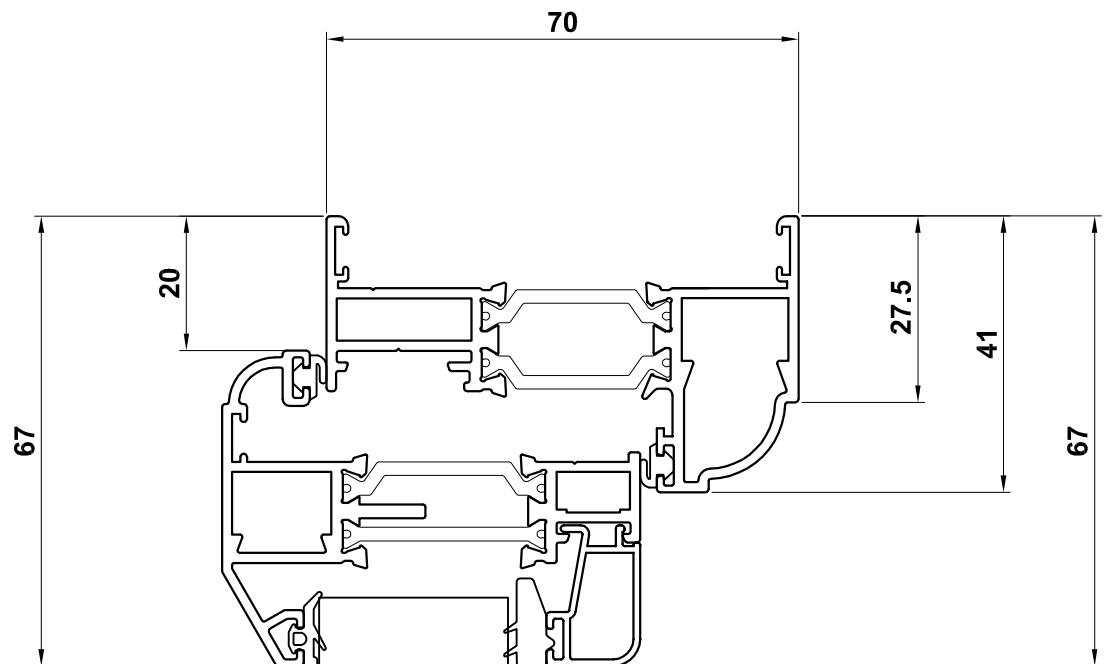
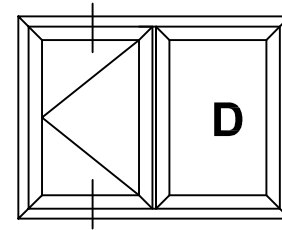
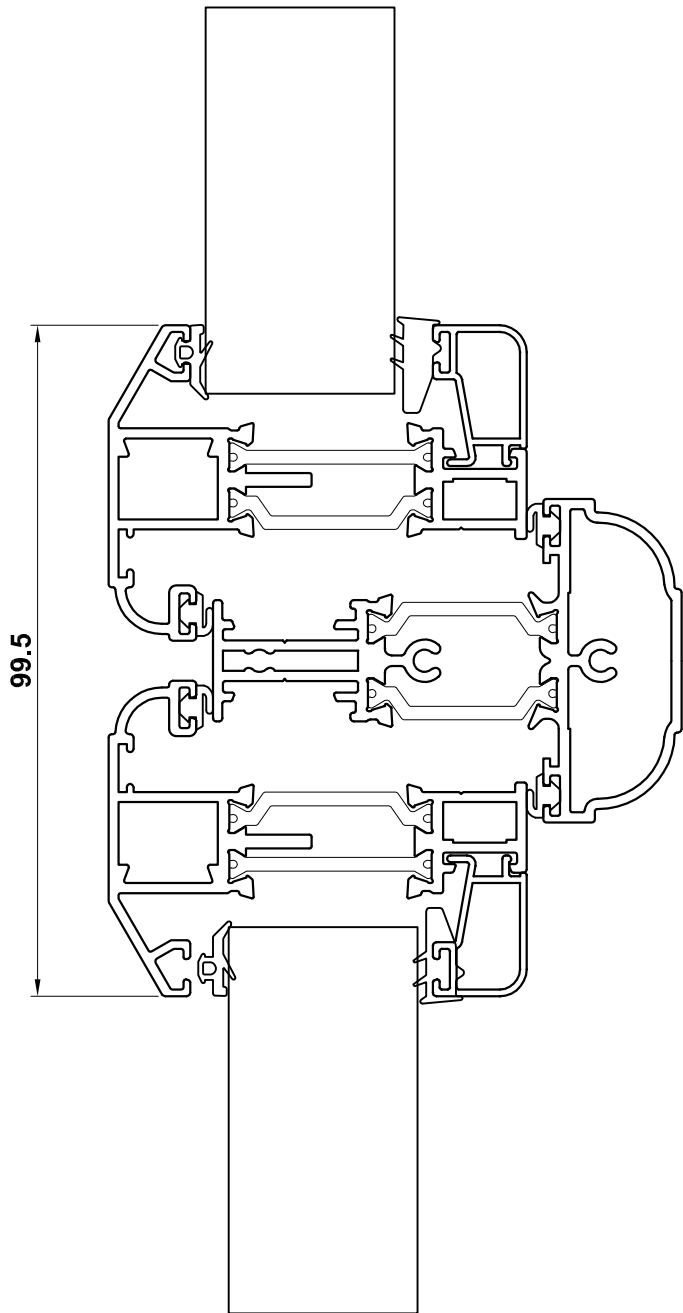
- ZSB169** - Outer Frame
- ETC321N** - Z-Sash
- ETC333** - T-Transom/Mullion
- ETC371** - 28mm Glazing
- ETC158N** - 190mm Sill
- DV559** - Outer Frame Extension



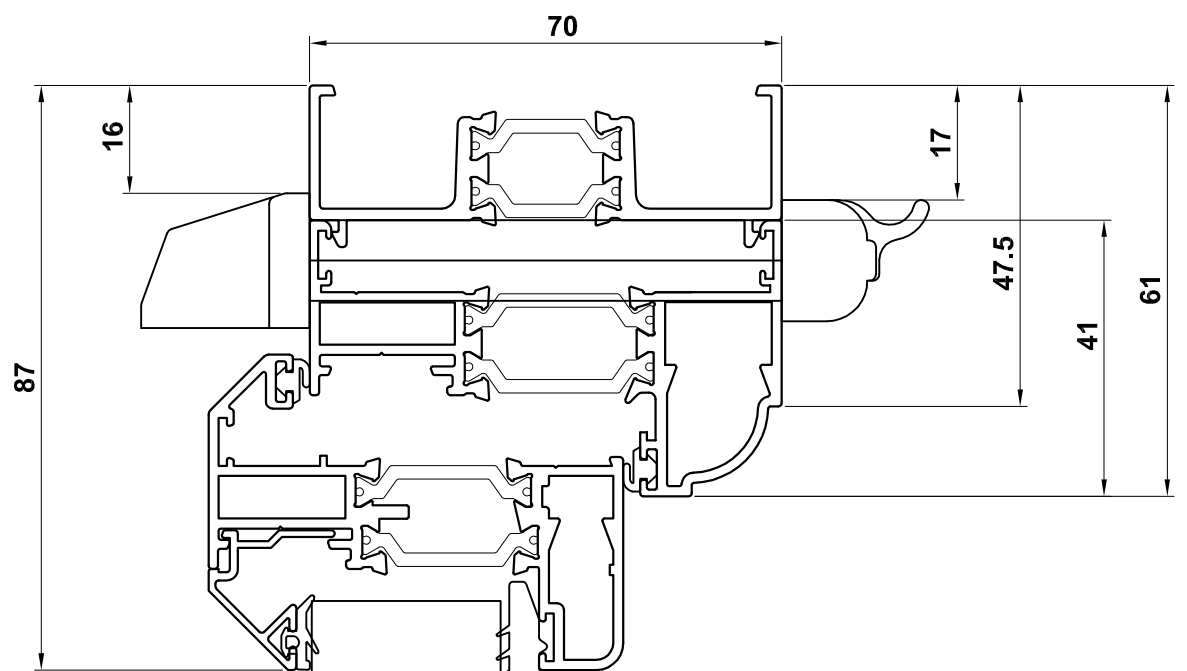
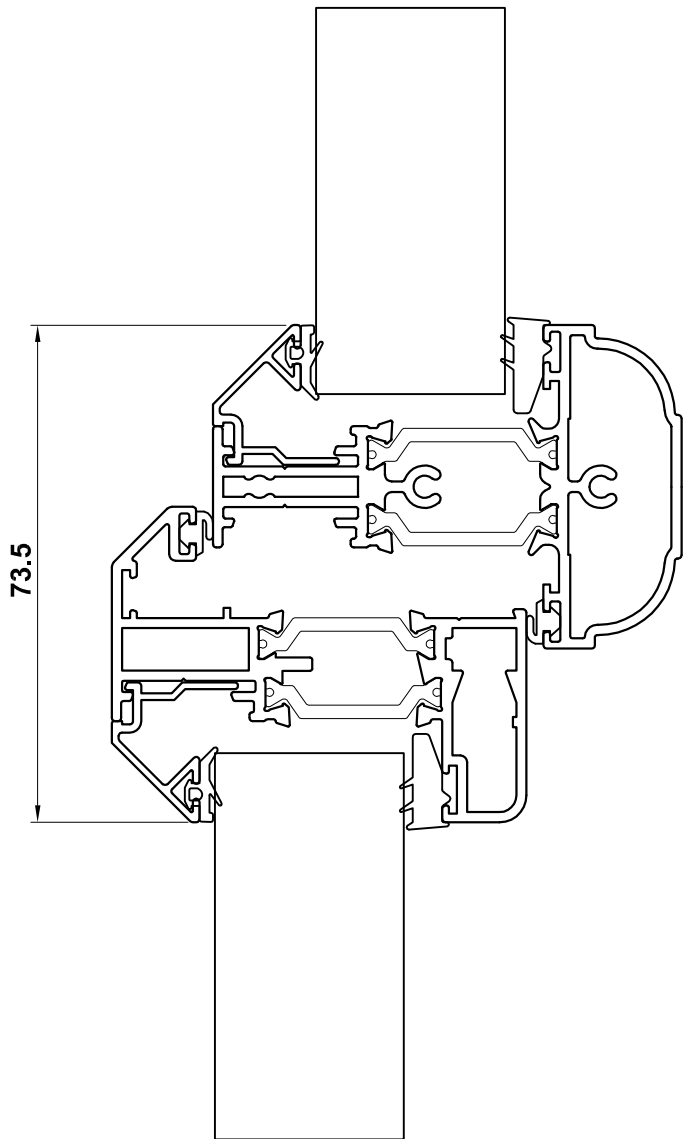
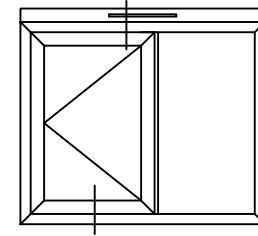
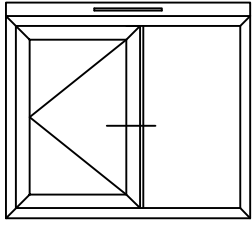
## WINDOW SYSTEM 3 ASSEMBLY DRAWINGS CLASSIC-AL FRAME INTERNALLY GLAZED



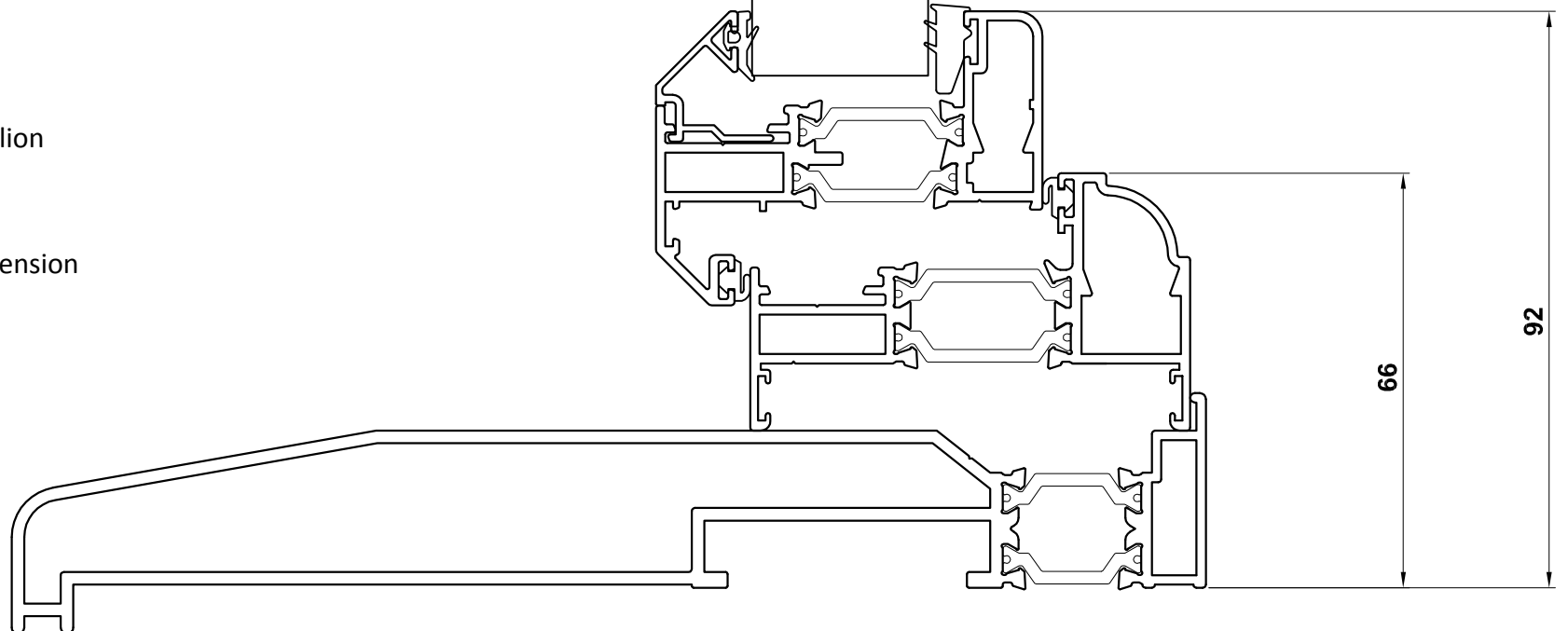
- ZSB168** - Outer Frame
- ETC329N** - T-Sash
- ZSB167** - T-Transom/Mullion
- ETC273** - 28mm Glazing
- ETC158N** - 190mm Sill



**WINDOW SYSTEM 4 ASSEMBLY DRAWINGS**  
**CLASSIC-AL FRAME EXTERNALLY GLAZED**  
**BEVEL SASH**

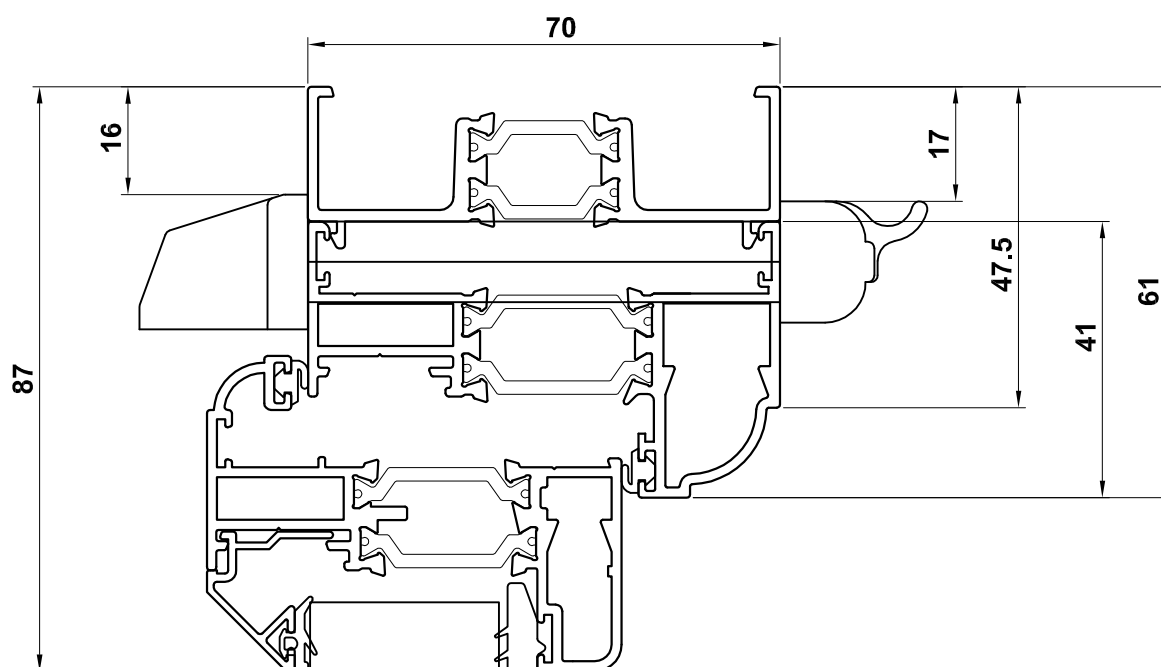
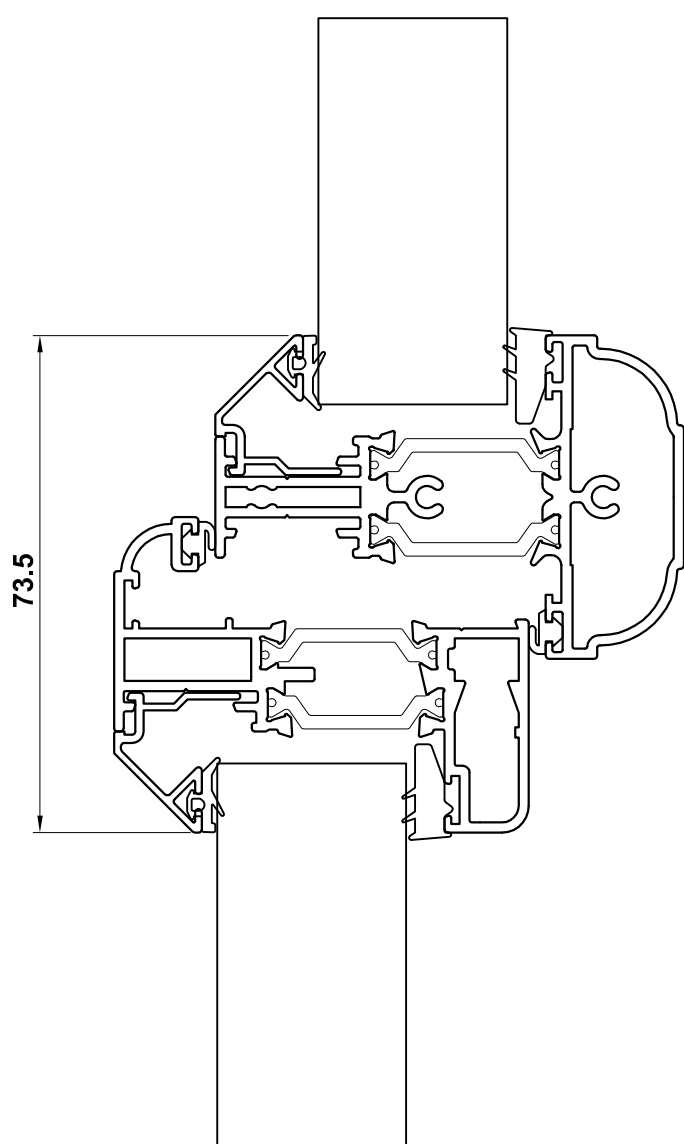
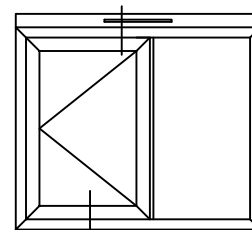
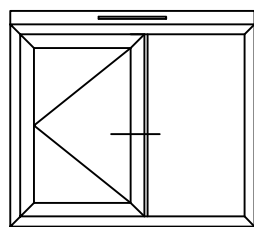


- ZSB168** - Outer Frame
- ETC321N** - Z-Sash
- ZSB167** - T-Transom/Mullion
- ETC375** - 28mm Glazing
- ETC158N** - 190mm Sill
- DV559** - Outer Frame Extension



## WINDOW SYSTEM 5 ASSEMBLY DRAWINGS CLASSIC-AL FRAME EXTERNALLY GLAZED FEATURED SASH

- ZSB168** - Outer Frame
- ETC327** - Z-Sash Featured
- ZSB167** - T-Transom/Mullion
- ETC375** - 28mm Glazing
- ETC158N** - 190mm Sill
- DV559** - Outer Frame Extension



### Note:

For floating mullion applications, the Classic-al mullion ZSB167 will need to be replaced with the contemporary mullion ETC333

