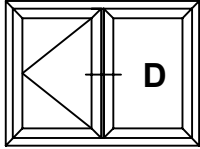
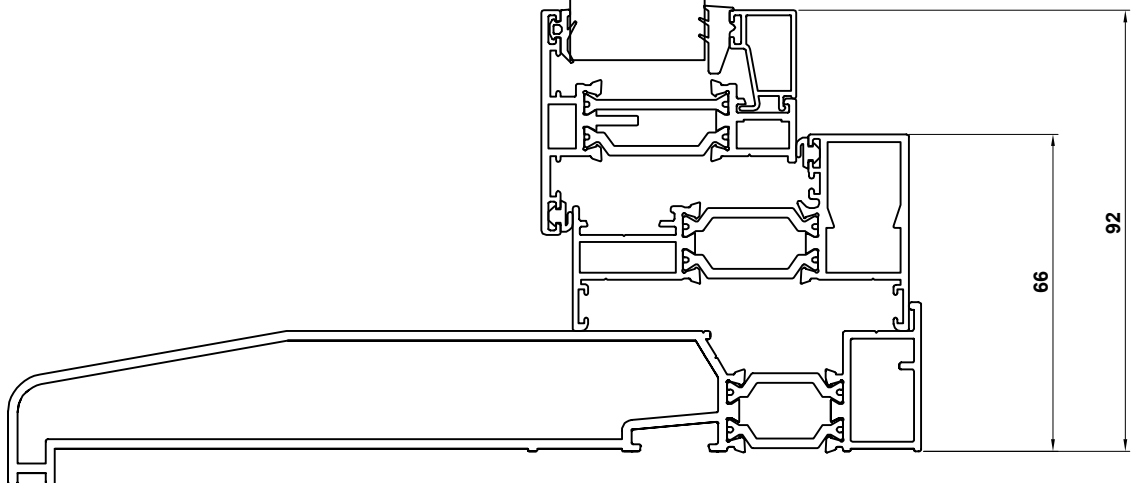
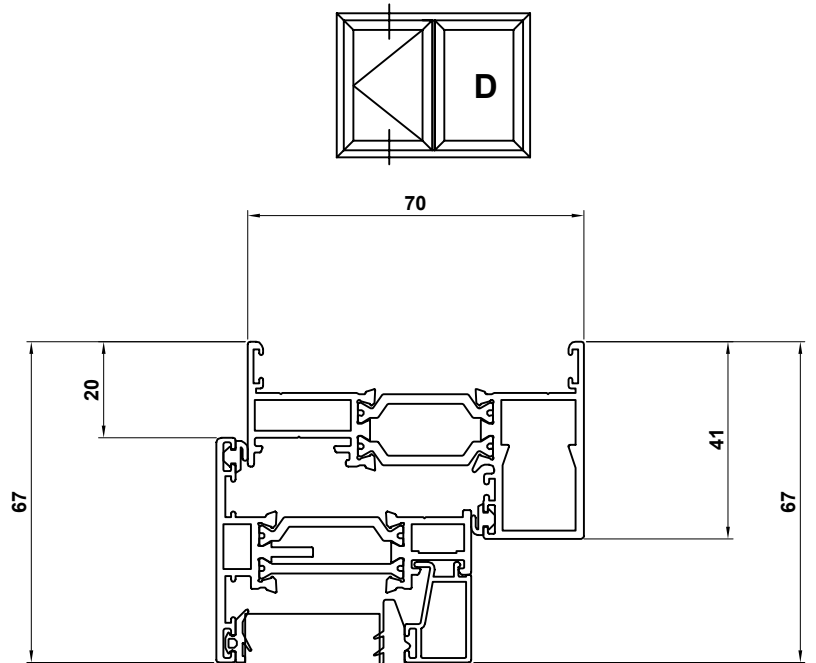
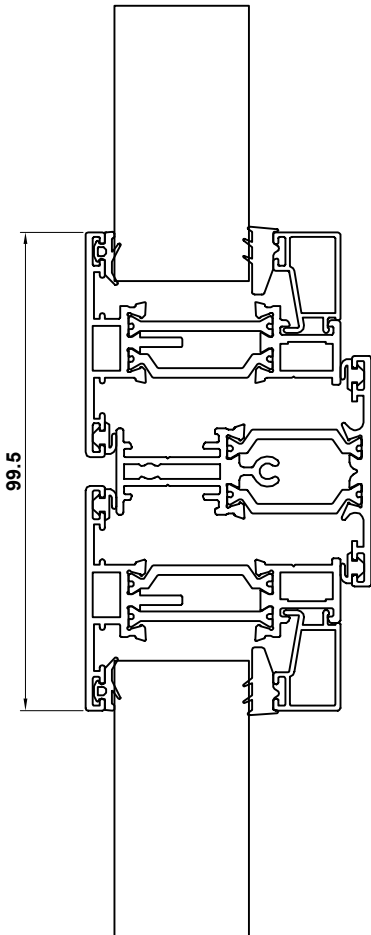


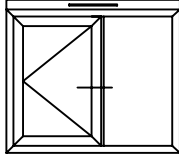
**ALITHERM 300 CASEMENT SYSTEM 1 ASSEMBLY DRAWINGS
CONTEMPORARY FRAME INTERNALLY GLAZED
FLAT SASH**



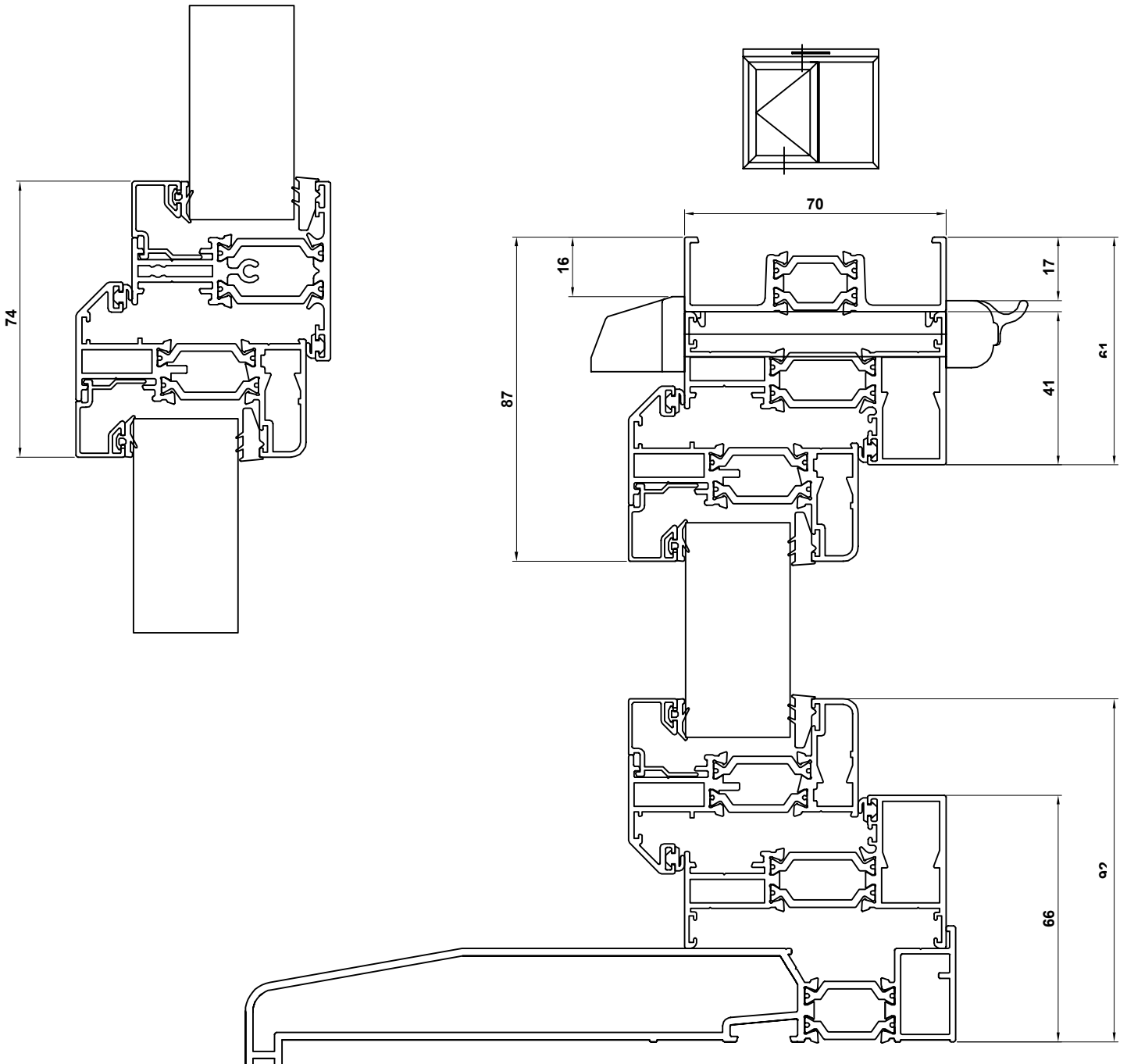
- ZSB169** - Outer Frame
- ETC324N** - T Sash
- ETC333** - T Transom/Mullion
- ETC367** - 28mm Glazing Bead
- ETC458** - 190mm Cill



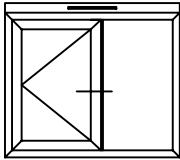
ALITHERM 300 CASEMENT SYSTEM 2 ASSEMBLY DRAWINGS CONTEMPORARY FRAME EXTERNALLY GLAZED BEVELLED SASH



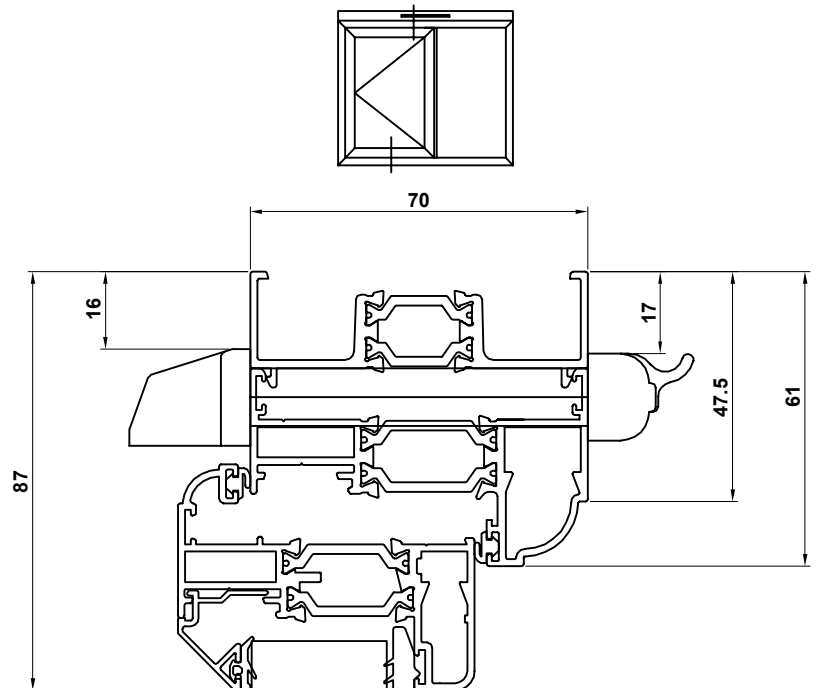
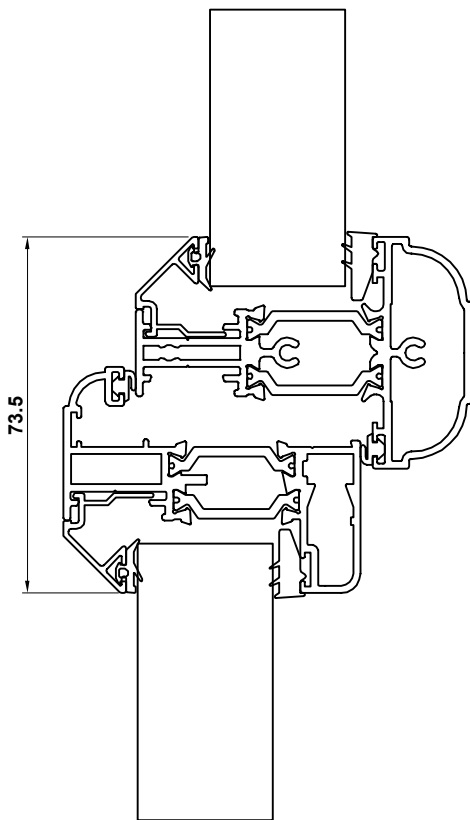
- ZSB169** - Outer Frame
- ETC321N** - Z Sash
- ETC333** - T Transom/Mullion
- ETC371** - 28mm Glazing Bead
- ETC458** - 190mm Cill
- DV559** - Outer Frame Extension



ALITHERM 300 CASEMENT SYSTEM 5 ASSEMBLY DRAWINGS CLASSIC-AL FRAME EXTERNALLY GLAZED FEATURED SASH



- ZSB168 - Outer Frame
- ETC327 - Z Sash
- ZSB167 - T Transom/Mullion
- ETC375 - 28mm Glazing Bead
- ETC458 - 190mm Cill
- DV559 - Outer Frame Extension



Note:
For floating mullion applications, the Classic-Al mullion ZSB167 will need to be replaced with the contemporary mullion ETC333

